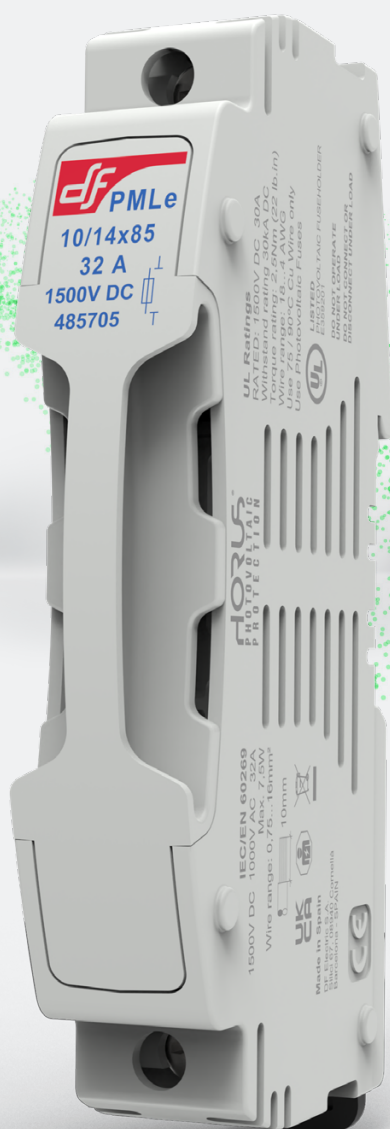


HORUS[®]
PHOTOVOLTAIC
PROTECTION



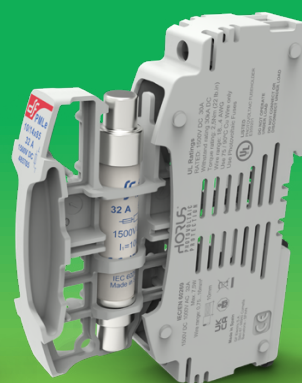
**PROTECTING
THE WORLD**

PHOTOVOLTAIC

FUSE LINKS & FUSE HOLDERS FOR PHOTOVOLTAIC APPLICATIONS

PML_e 1500V DC

PV fuse holder
for cylindrical fuse links





RATED CURRENT
32A

RATED VOLTAGE
1000V AC
1500V DC

MAXIMUM POWER DISSIPATION
7,5W

PROTECTION INDEX
IP20

STANDARDS
IEC/EN 60269-1
IEC/EN 60269-2
UL 4248-1
UL 4248-19
UL 486E



**PATENTED
DESIGN**

Fuse holder that offer 1500V DC rated voltages

Fuse holder for cylindrical fuse link size 10x85 according IEC/EN 60269 standard and 10-14x85.

Compact design, with reduced dimensions.

Ventilation zones optimized for a better heat dissipation.

Manufactured with a high quality materials

- Silver plated copper contacts.
- Plastic materials with high temperature resistance and self-extinguishable.
- All the materials are according to the European Directive RoHS (Restriction of the use of certain hazardous substances in electrical material) and also halogen free.



Extended range of accessories is available.

UL certification (File E359201).



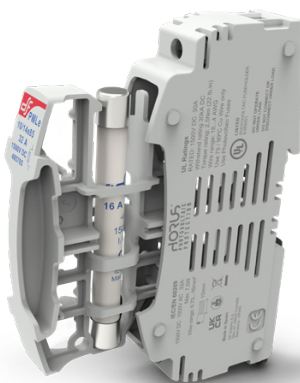
Range

PMLe fuse holder

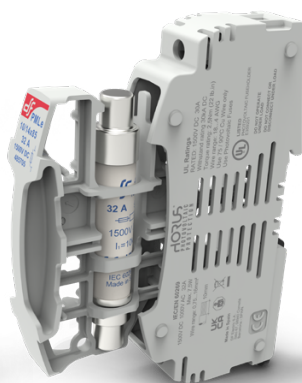
REFERENCE	POLES	MODULE (mm)	PACKING Uni /BOX
485705	1P	22,5	10/100

Accessories

REFERENCE	DESCRIPTION	PACKING Uni /BOX
485052	SPECIAL IP20 PROTECTION ACCESSORY	24
485656	SCREW'S PROTECTION ACCESSORY	20



10x85 position



10/14x85 position

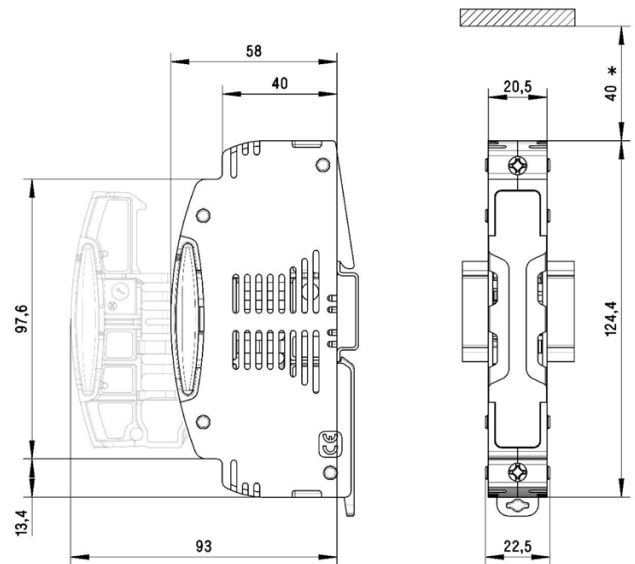


Technical data

Rated current	32A	
Rated voltage	1000V AC 1500V DC	
Maximum power dissipation	7,5W	
Power dissipation per pole	80% $I_n > 0,2W$ 100% $I_n > 0,3W$	
Pollution degree	3	
Protection index *	IP20	
Rated impulse withstand voltage	8kV U _{imp}	
Ambient temperature of service	-40°C ... 70°C (with carrier operation) -50°C ... 80°C (without carrier operation)	
Storage temperature	-50°C ... 80°C	
Derating by number of poles	POLES	I_{MAX}
	1 ... 4	I_n
	≥ 5	$0,85 \times I_n$
Correction of the admissible current in function of the temperature	20° C	1
	30° C	0,95
	40° C	0,90
	50° C	0,80
	60° C	0,70
	70° C	0,60

* For wires of section $\leq 6\text{mm}^2$ is necessary the use of the accessory to guarantee IP20 in clamps zone. ► **FIG. 2**

Dimensions



* Recommended mounting free space

Weight

1P

84,5gr

Weight without packing

Standards

IEC/EN 60269-1
IEC/EN 60269-2
UL4248-1 Fuse holders
UL4248-19 Photovoltaic fuse holders
UL486E Wiring terminals



Application characteristics

For mounting on DIN/EN standard rail

DIN 46277/1-3 (EN50022)
Clip fixation with 2 positions

Connecting wire

WIRES	METRIC	AWG	WIRING
1	0,75...16mm ² Flexible / Extra Flexible	18...4 AWG Flexible / Extra Flexible	10mm±1
2 Same cross section and type	0,75...6mm ² Flexible / Extra Flexible	18...8 AWG Flexible / Extra Flexible	

BUS-BAR applications

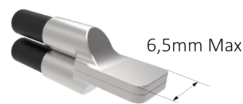
Clamping dimensions

THICKNESS	WIDTH
6,5mm	6,5mm

Wire-end terminals

The use of wire-end terminals may allow to increase the connecting wire section.

Wire-end terminals recommended mounting:



The use of wire-end terminals could not guarantee the IP20 protection degree.

Ferrules

It's recommended use of ferrules in wires with section $\leq 2,5\text{mm}^2$



The product is delivered with the terminals opened and ready to connect

Tightening torque on terminals	2...2,5 Nm 18...22 lb.in
Screws with a combined head	SLOT + PZ2



Accessories

FIG. 1 | Lock of the fuse holder

Systems to avoid the operation and connection

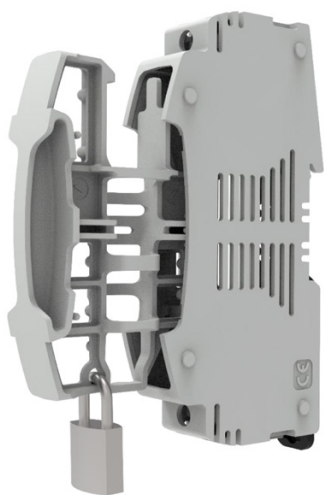


FIG. 3 | Screw's protection accessory

Protection accessory to avoid the screws manipulation and improve the protection degree

485656 SCREW'S PROTECTION ACCESSORY

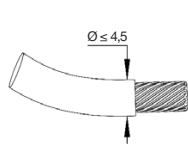
Manual assembly



FIG. 2 | Special IP20 protection

The accessory must be positioned in the wire entries, if it's necessary to achieve the IP20 degree of protection with thin wires

485052 SPECIAL IP20 PROTECTION ACCESSORY



Manual assembly



To obtain an IP20 rating with cable protection of $\text{Ø} \leq 4.5\text{mm}$, use the **special protection accessory**



HORUS[®]
PHOTOVOLTAIC
PROTECTION



PHOTOVOLTAIC

FUSE LINKS & FUSE HOLDERS FOR PHOTOVOLTAIC APPLICATIONS

PMX 1500V DC

PV fuse holder
for cylindrical fuse links



10x38

14x51

22x65

**PROTECTING
THE WORLD**



RATED CURRENT
100A

RATED VOLTAGE
1000V AC
1500V DC

MAXIMUM POWER DISSIPATION
12W

PROTECTION INDEX
IP20

STANDARDS

IEC/EN 60269-1
IEC/EN 60269-2
UL 4248-1
UL 4248-19
UL 486E



**PATENTED
DESIGN**

Modular fuse holders that offer 1500V DC rated voltages

Modular fuse holder for cylindrical fuse link size 22x65 according IEC/EN 60269 standard.

Compact design, with reduced dimensions.

Ventilation zones optimized for a better heat dissipation.

Manufactured with a high quality materials

- Silver plated copper contacts.
- Plastic materials with high temperature resistance and self-extinguishable.
- All the materials are according to the European Directive RoHS.



Range of accessories is available.

UL certification (File E359201).



Accessories

REFERENCE	DESCRIPTION	PACKING Uni /BOX
480005	PINS FOR MULTIPOLE ASSEMBLY	12
485356	PMX-14/22 HANDLE TIES FOR MULTIPOLE ASSEMBLY	12
485366	PMX-22 SPECIAL IP20 PROTECTION ACCESSORY	12
485367	PMX-22 SPECIAL ACCESSORY SCREW CONNECTION	12
485371	PMX-22 ACCESSORY SCREW PROTECTION	12

Range

REFERENCE	INDICATOR	POLES	MODULES	PACKING Uni /BOX
485720	-	1P	1	6/48

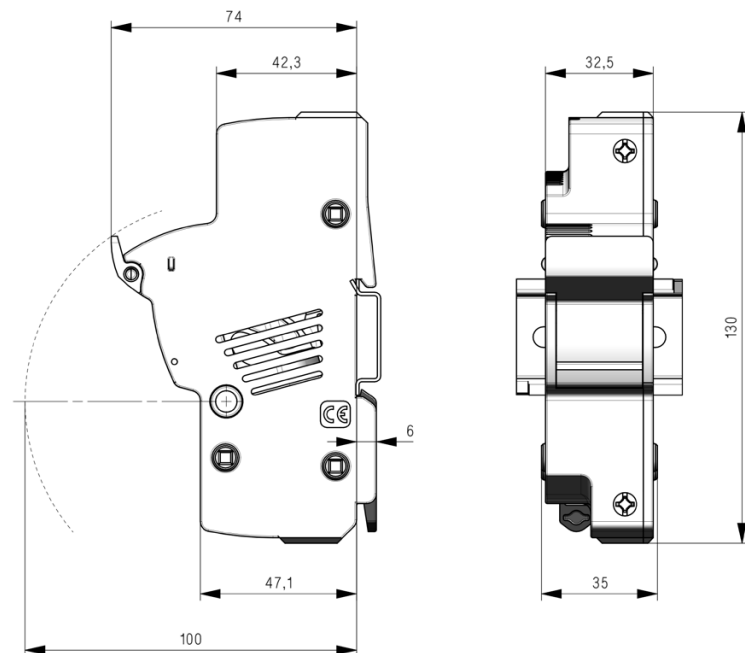


Technical data

Rated current	100A	
Rated voltage	1000V AC 1500V DC	
Maximum power dissipation	12W	
Power dissipation per pole	50% $I_n > 1,48W$ 80% $I_n > 1,82W$ 100% $I_n > 2,81W$	
Pollution degree	3	
Protection index *	IP20	
Rated impulse withstand voltage	8kV U imp	
Ambient temperature of service	-40°C ... 70°C (with carrier operation) -50°C ... 80°C (without carrier operation)	
Storage temperature	-50°C ... 80°C	
Derating by number of poles	POLES	I_{MAX}
	1 ... 4	I_n
	≥ 5	$0,85 \times I_n$
Correction of the admissible current in function of the temperature	20° C	1
	30° C	0,95
	40° C	0,90
	50° C	0,80
	60° C	0,70
	70° C	0,60

* For wires of section $\leq 16mm^2$ is necessary the use of the accessory to guarantee IP20 in clamps zone. ► **FIG. 2**

Dimensions



Weight

1P

148gr

Weight without packing

Standards

IEC/EN 60269-1
IEC/EN 60269-2
UL4248-1 Fuse holders
UL4248-19 Photovoltaic fuse holders
UL486E Wiring terminals

Warning of use

Installing or replacing of fuse links is only allowed by instructed specialized staff.

To avoid electrical risk, install the switchgear without voltage.





Application characteristics

For mounting on DIN/EN standard rail DIN 46277/1-3 (EN50022)
Clip fixation with 2 positions

Connecting wire
Copper wires only

WIRES	METRIC	AWG	WIRING
1	1,5...35mm ² Flexible / Extra flexible	16...2 AWG Flexible / Extra flexible	18mm ±1
2 Same cross section and type	1,5...10mm ² Flexible / Extra flexible	16...6 AWG Flexible / Extra flexible	

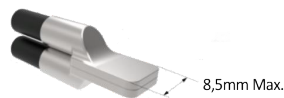
BUS-BAR applications
Clamping dimensions

THICKNESS	WIDTH
8,5mm	8,5mm

Wire-end terminals

The use of wire-end terminals may allow to increase the connecting wire section.

Wire-end terminals recommended mounting:



The use of wire-end terminals could not guarantee the IP20 protection degree.

Ferrules

It's recommended use of ferrules in wires with section $\leq 2,5\text{mm}^2$



The product is delivered with the terminals opened and ready to connect

Tightening torque on terminals	3,5...4 Nm 31...35 lb.in
Screws with a combined head	SLOT + PZ2
Multipolar assembly	► FIG. 1
Special zone for sealing	Ø1,5 mm wire

Accessories

FIG. 1 | Multipolar assembly

Standard system by DF, 3 clips and 1 pin for each union between poles

480005	PINS FOR MULTIPOLE ASSEMBLY
485356	PMX-14/22 HANDLE TIES FOR MULTIPOLE ASSEMBLY

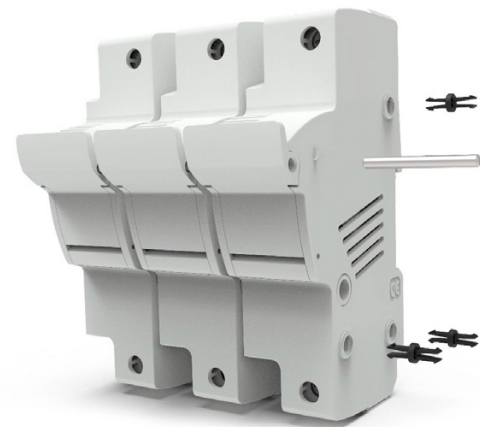
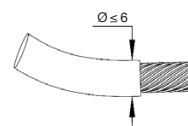


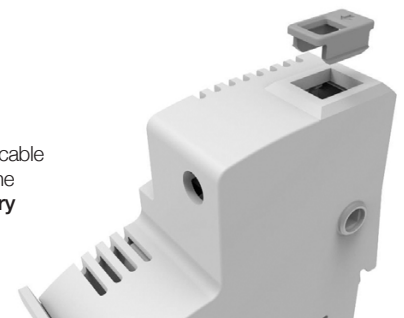
FIG. 2 | Special IP20 protection

The accessory must be positioned in the wire entries, if it's necessary to achieve the IP20 degree of protection with thin wires. Manual assembly.

485366	PMX-22 SPECIAL IP20 PROTECTION ACCESSORY
---------------	--



To obtain an IP20 rating with cable protection of $\text{Ø} \leq 6\text{mm}$, use the special protection accessory





Accessories

FIG. 3 | Screw's protection accessory

Protection accessory to avoid the screws manipulation and improve the protection degree. Manual assembly.

485371 PMX-22 ACCESSORY SCREW PROTECTION

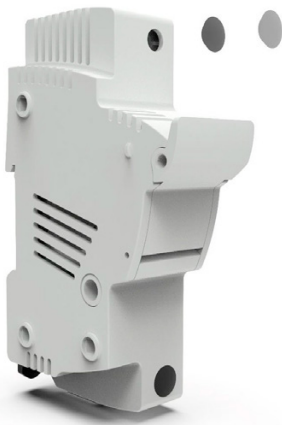
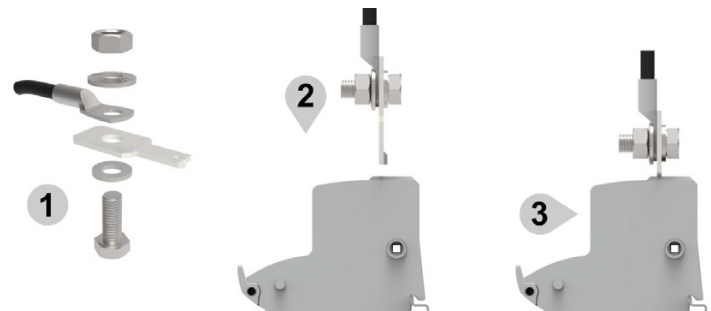


FIG. 4 | Special screw connection accessory

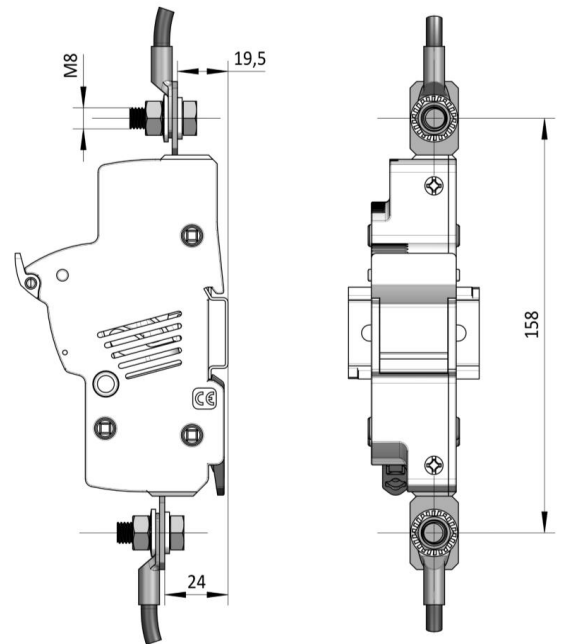
485367 PMX-22 SPECIAL SCREW CONNECTION ACCESSORY

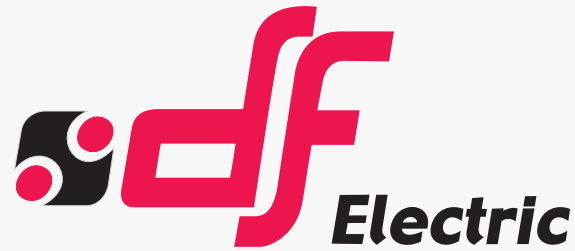


1
Mount the accessory
in the wire or busbar
(10Nm)

2
Wiring in the fuse holder

3
Apply tightening torque
(4Nm)





PROTECTING THE WORLD

HEAD OFFICE AND FACTORY

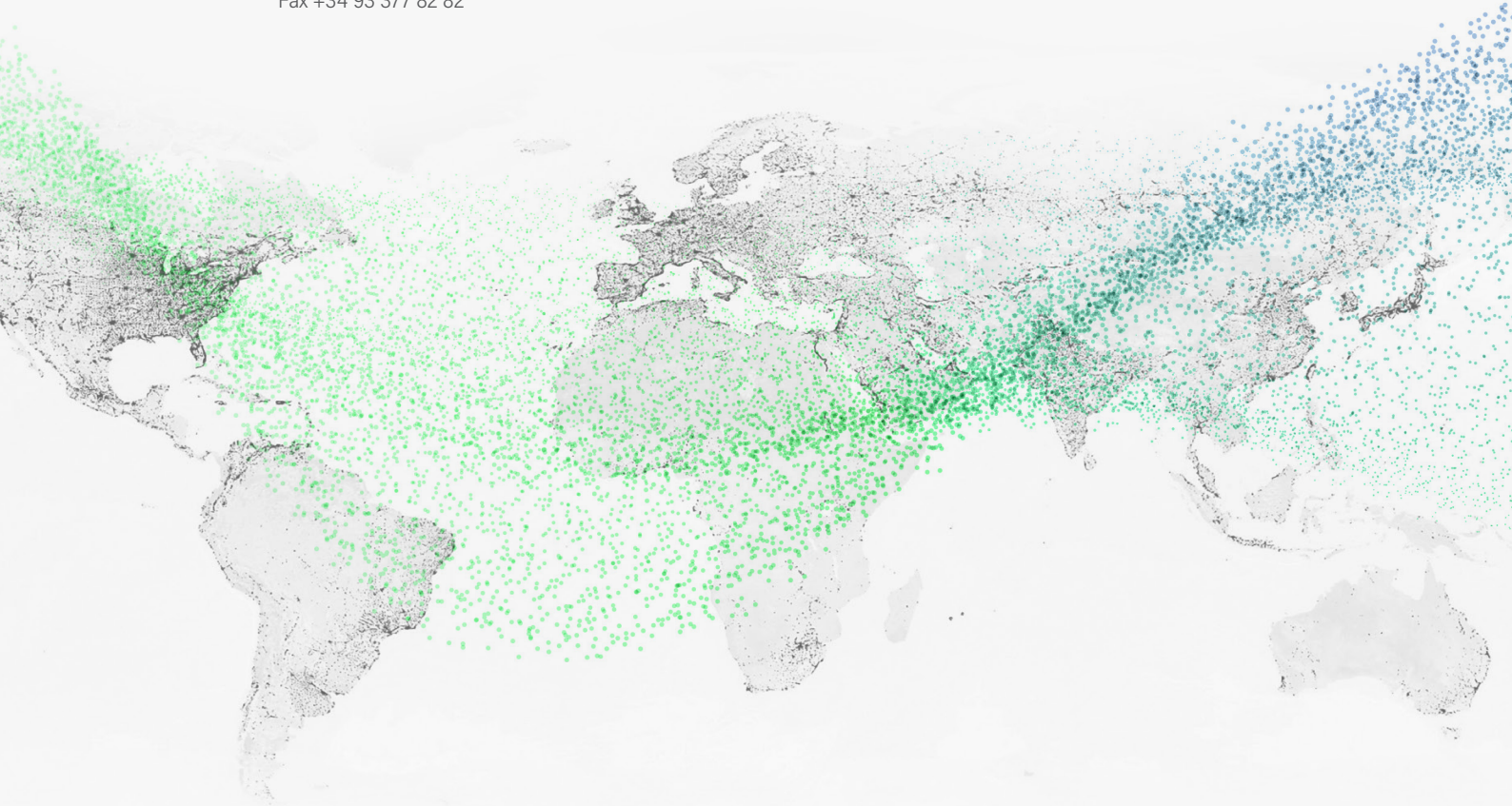
SILICI, 67-69
08940 CORNELLA DE LLOBREGAT
BARCELONA · SPAIN
Tel. +34 93 377 85 85
Fax +34 93 377 82 82

INTERNATIONAL SALES

Tel. +34 93 475 08 64
Fax +34 93 480 07 75
export@dfelectric.es

NATIONAL SALES

Tel. 93 475 08 64
Fax 93 480 07 76
comercial@dfelectric.es



dfelectric.es



According to the waste of electrical and electronic equipment directive, electrical material should not be part of the usual waste. This symbol alerts users that these products should be recycled according to local environmental waste disposal regulations.



The "electro technical expert" logo marked on the products included in this data sheet indicates that the installation of these products must be carried out by expert personnel with specialized knowledge.



To prevent electrical hazards, carry out the installation without voltage.



Safety notice
Please capture the following QR code and read our safety notice carefully before installing our products.



The data reflected in this technical record are subject to the correct installation of the product in accordance with manufacturer's instructions, relevant installation standards and professional practices, maintained and used in applications for which they were made.

The products described in this document have been designed, developed and tested in accordance with specific standard. They are considered components that are integrated as part of installation, machine or equipment. The correct general operation of the referred product is responsibility of the manufacturer of the installation, machine or equipment.

DF ELECTRIC cannot guarantee the characteristics of an installation, machine or equipment that has been designed by a third party. Once a product has been selected, the user must verify that it is appropriate for its application, through the verifications and/or tests that it deems appropriate.

DF ELECTRIC retains the right to change the dimensions, specifications, materials or design of its products at any time with or without notice.

©2023 DF Electric. All rights reserved